

# THE ARIA

9m Lot Width.



TOTAL AREA  
**144m<sup>2</sup>**

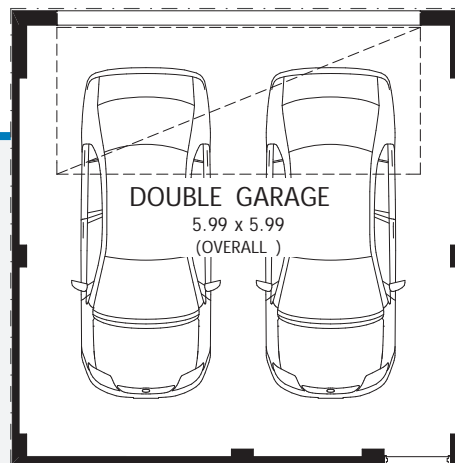


BEDROOMS  
**3**



BATHROOMS  
**2**

- Open plan living and kitchen area
- Secure double garage
- Large master bedroom with ensuite and walk in robe
- Large open courtyard



**COURTYARD**  
6.49 x 4.00  
(UNCOVERED)

